



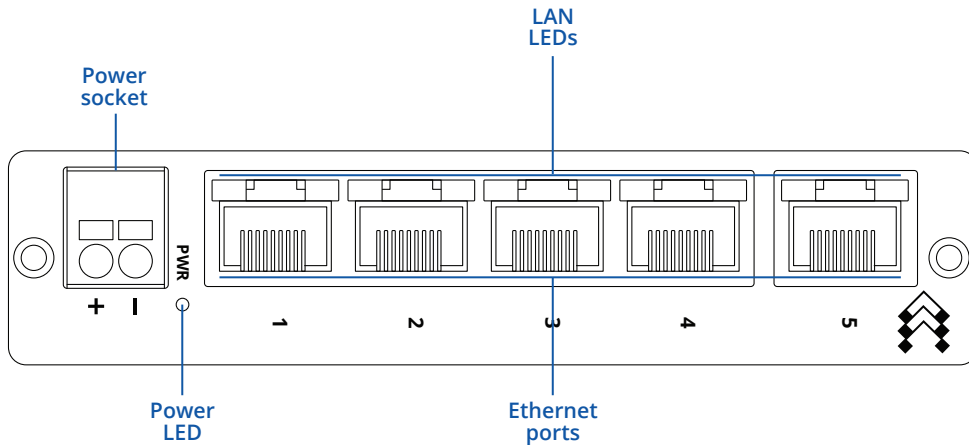
TSW010

DISTRIBUTED BY
NOVATEL
www.novatel.ie

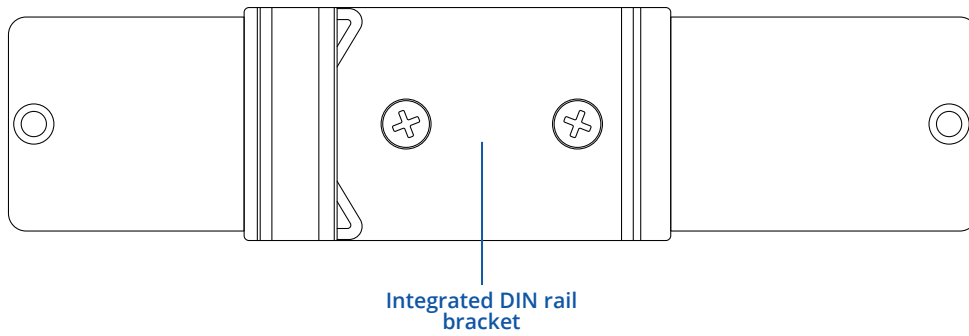


HARDWARE

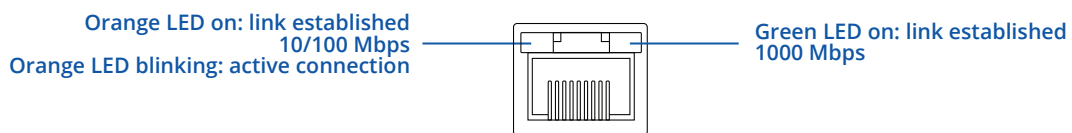
FRONT VIEW



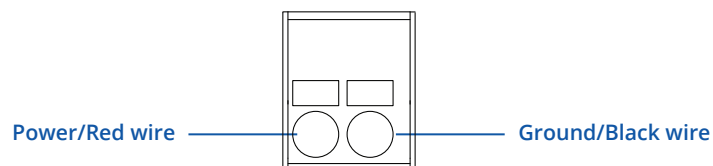
BACK VIEW



RJ45 LED MEANING



POWER SOCKET PINOUT



FEATURES

ETHERNET

LAN	5 x ETH port, 10/100 Mbps, supports auto MDI/MDIX crossover
IEEE 802.3 series standards	802.3i, 802.3u, 802.3x, 802.3az

PERFORMANCE SPECIFICATIONS

Bandwidth (Non-blocking)	1 Gbps
MAC address table size	2K entries
Jumbo frame support	2048 bytes

POWER

Connector	2-pin industrial DC power socket
Input voltage range	9 – 30 VDC
PoE (passive)	Possibility to power up through ETH1 ports, not compatible with IEEE802.3af, 802.3at and 802.3bt standards, Mode B, 9 - 30 VDC
Power consumption	Idle: 0.3 W / Max: 0.9 W

PHYSICAL INTERFACES

Ethernet	5 x RJ45 ports, 10/100 Mbps
Status LEDs	1 x Power LED, 10 x LAN status LEDs
Power	1 x 2-pin industrial DC power socket
Other	1 x Grounding screw

PHYSICAL SPECIFICATION

Casing material	Aluminum housing
Dimensions (W x H x D)	113.1 x 27.4 x 80.5 mm
Weight	146.5 g
Mounting options	DIN rail or wall mounting (additional kit needed), flat surface placement

OPERATING ENVIRONMENT

Operating temperature	-40 °C to 75 °C
Operating humidity	10% to 90% non-condensing
Ingress Protection Rating	IP30

REGULATORY & TYPE APPROVALS

Regulatory	CE, REACH, RoHS, WEEE, UKCA, FCC, IC, CB, RCM, GITEKI
------------	---

SAFETY

Standards	EN IEC 62368-1:2020+A11:2020
-----------	------------------------------

WHAT'S IN THE BOX?

STANDARD PACKAGE CONTAINS

- TSW010
- QSG (Quick Start Guide)
- Packaging box



STANDARD ORDER CODES

PRODUCT CODE	HS CODE	HTS CODE	PACKAGE CONTAINS
TSW010 000000	851762	8517.62.00	Standard package

For more information on all available packaging options – please contact us directly.

TSW010 SPATIAL MEASUREMENTS & WEIGHT

MAIN MEASUREMENTS

W x H x D dimensions for TSW010:

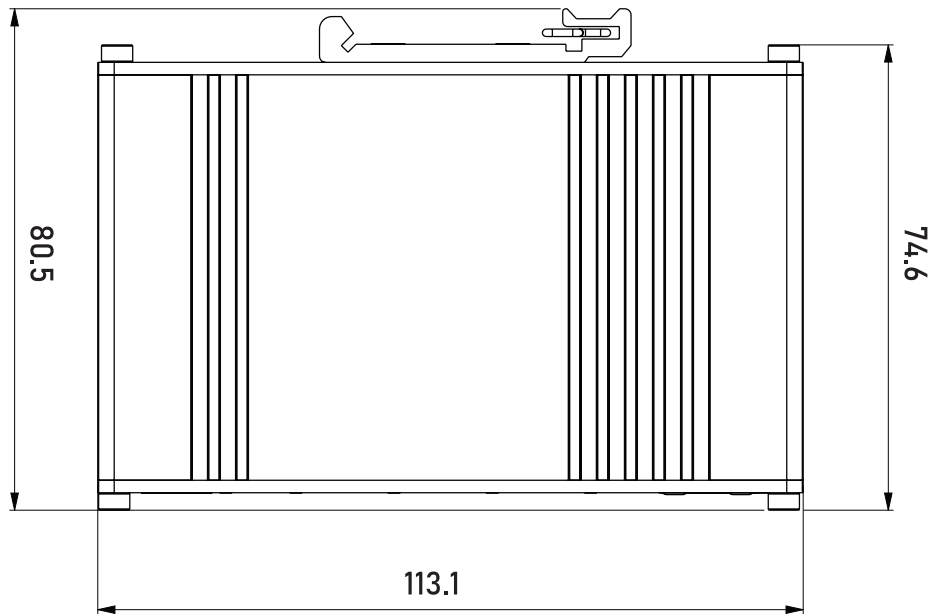
Device housing*: 113.1 x 27.4 x 80.5 mm

Box: 173 x 71 x 148 mm

*Housing measurements are presented without connectors and screws; for measurements of other device elements look to the sections below.

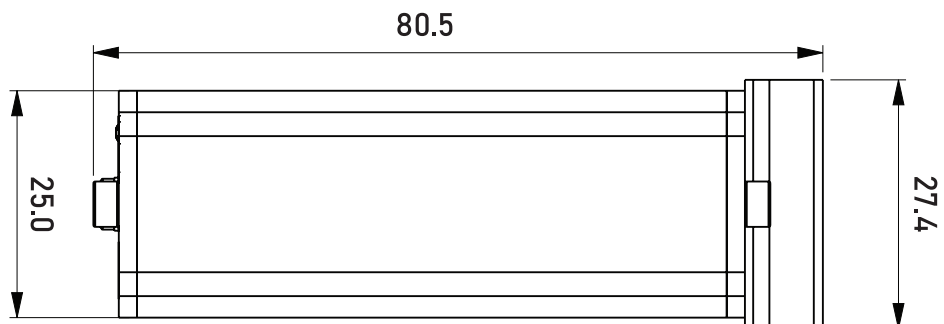
TOP VIEW

The figure below depicts the measurements of TSW010 and its components as seen from the top:



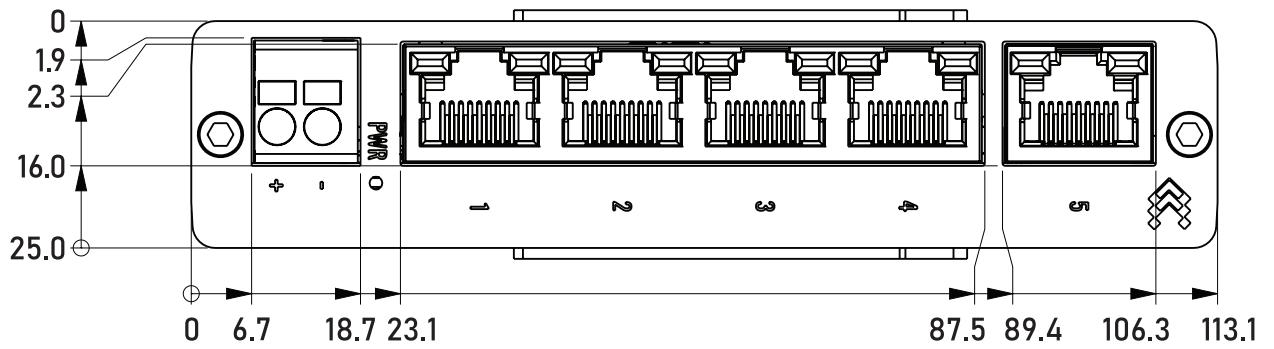
RIGHT VIEW

The figure below depicts the measurements of TSW010 and its components as seen from the right side:



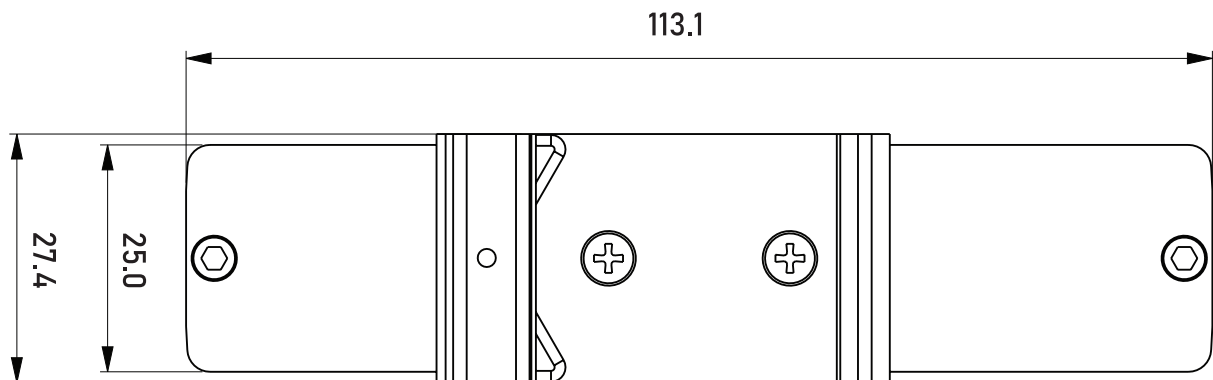
FRONT VIEW

The figure below depicts the measurements of TSW010 and its components as seen from the front panel side:



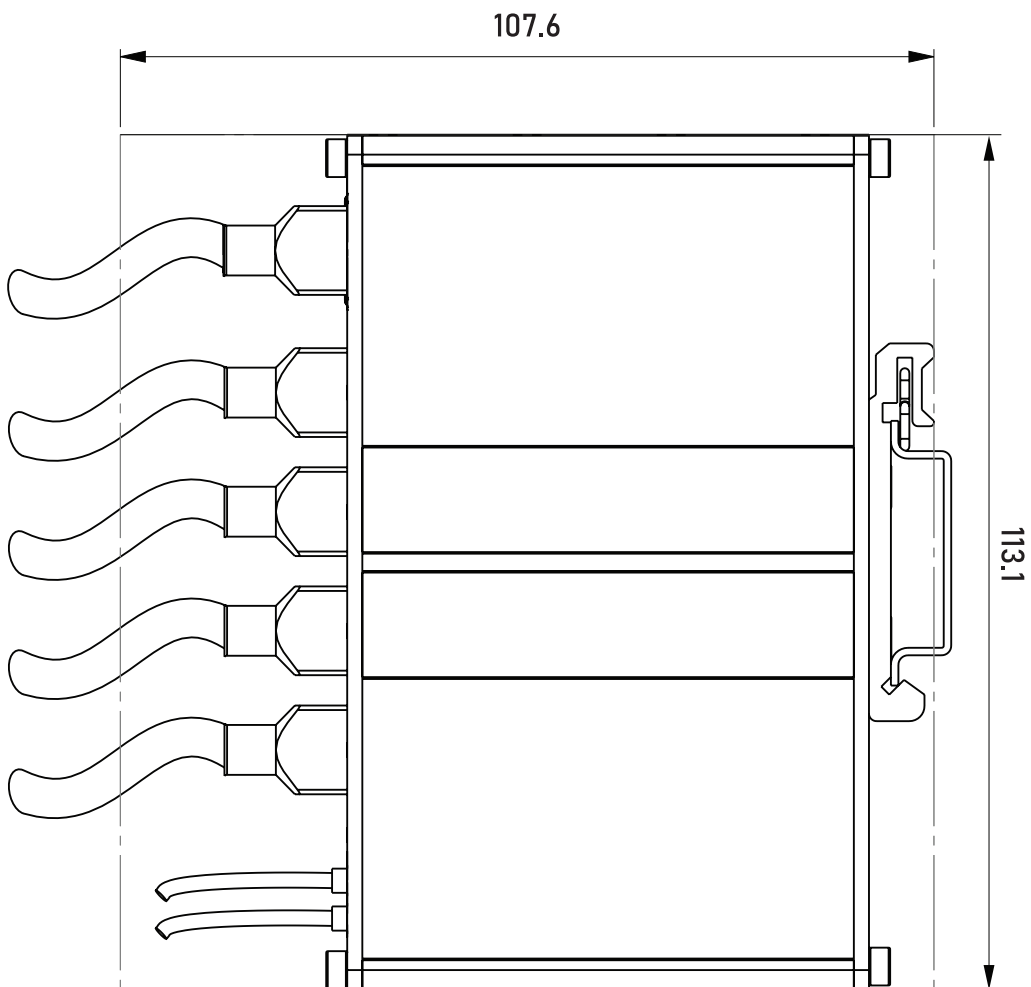
REAR VIEW

The figure below depicts the measurements of TSW010 and its components as seen from the back panel side:



MOUNTING SPACE REQUIREMENTS

The figure below depicts an approximation of the device's dimensions when cables and antennas are attached:



DIN RAIL

The scheme below depicts protrusion measurements of an attached DIN Rail:

