



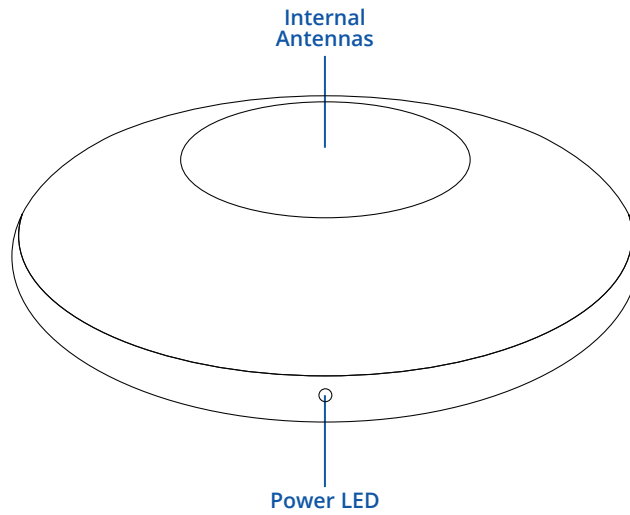
TAP100

DISTRIBUTED BY
NOVATEL
www.novatel.ie

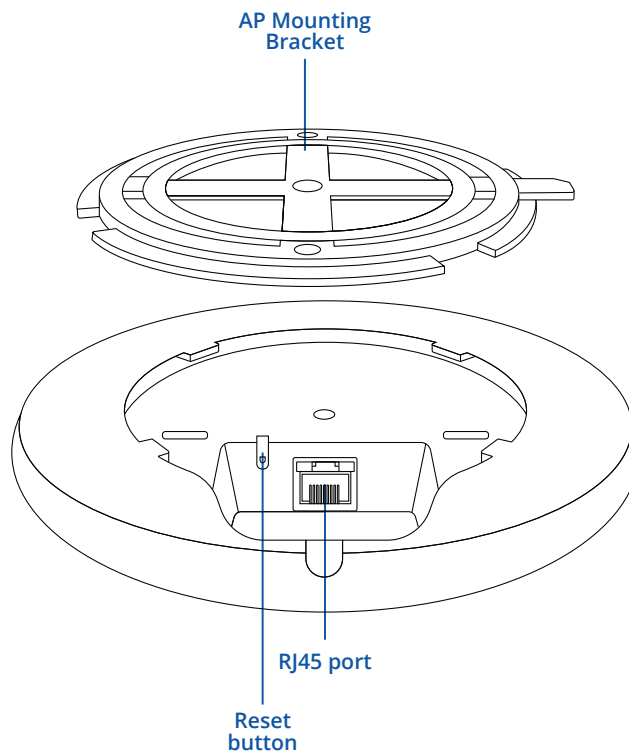


HARDWARE

TOP VIEW



BOTTOM VIEW



RJ45 LED MEANING



FEATURES

WIRELESS

Wireless mode	IEEE 802.11b/g/n (Wi-Fi 4)
Wi-Fi security	WPA2-EAP/WPA3-EAP Mixed Mode, WPA3-EAP, WPA2-PSK/WPA3-SAE Mixed Mode, WPA3-SAE, OWE, WPA-PSK/WPA2-PSK Mixed Mode, WPA2-PSK, WPA2-EAP; AES-CCMP, TKIP, Auto Cipher modes, client separation
SSID/ESSID	SSID stealth mode and access control based on MAC address
Wi-Fi users	Up to 100 simultaneous connections
Wireless mesh/roaming	Fast roaming (802.11r)
Wireless MAC filter	Whitelist, blacklist

ETHERNET

ETHERNET	1 x RJ45 port 10/100 Mbps, compliance with IEEE 802.3, IEEE 802.3u, 802.3az standards, supports auto MDI/MDIX crossover
----------	-------------------------------------------------------------------------------------------------------------------------

NETWORK

Network protocols	TCP, UDP, IPv4, IPv6, ICMP, HTTP, HTTPS, SSL v3, TLS, ARP, SSH, DHCP client, SNMP
-------------------	-----------------------------------------------------------------------------------

SECURITY

Authentication	Pre-shared key, digital certificates, X.509 certificates, TACACS+, Radius, IP & Login attempts block
VLAN	Tag-based VLAN separation

MONITORING & MANAGEMENT

WEB UI	HTTP/HTTPS, status, configuration, FW update, CLI, troubleshoot, event log, system log, kernel log
FOTA	Firmware update from server, automatic notification
SSH	SSH (v1, v2)
SNMP	SNMP (v1, v2, v3), SNMP Trap
JSON-RPC	Management API over HTTP/HTTPS
RMS	Teltonika Remote Management System (RMS)

SYSTEM CHARACTERISTICS

CPU	Mediatek, 580 MHz, MIPS 24KEc
RAM	64 MB, DDR2
FLASH storage	16 MB, SPI Flash

FIRMWARE/CONFIGURATION

WEB UI	Update FW from file, check FW on server, configuration profiles, configuration backup
FOTA	Update FW
RMS	Update FW/configuration for multiple devices at once
Keep settings	Update FW without losing current configuration

FIRMWARE CUSTOMIZATION

Operating system	RutOS (OpenWrt based Linux OS)
Supported languages	Busybox shell, Lua, C, C++
Development tools	SDK package with build environment provided

POWER

Connector	RJ45 Socket
Input voltage range	44.0 – 57.0 V
PoE standards	802.3af PoE Class 1
Power consumption	< 2 W Max

PHYSICAL INTERFACES

Ethernet	1 x RJ45 ports, 10/100 Mbps
Status LEDs	1 x Power LED (can be turned off from web-UI)
Antennas	2 x Internal for 2.4 GHz Wi-Fi
Antennas specifications	2 x 2400 - 2500 MHz, 50 Ω, VSWR <2.7, gain < 4.9 dBi, omnidirectional
Reset	Reboot/User default reset/Factory reset button

PHYSICAL SPECIFICATION

Casing material	UV stabilized plastic
Dimensions (W x H x D)	Ø 158 mm x 30 mm
Weight	190 g
Mounting options	AP Mounting Bracket (for ceiling mount)

OPERATING ENVIRONMENT

Operating temperature	-40 °C to 75 °C
Operating humidity	10% to 90% non-condensing for all our devices.
Ingress Protection Rating	IP30

REGULATORY & TYPE APPROVALS

Regulatory	CE, UKCA, CB, FCC, IC, WEEE, ANRT
------------	-----------------------------------

EMC EMISSIONS & IMMUNITY

Standards	EN 55032:2015+A11:2020 EN 55035:2017+A11:2020 EN 61000-3-3:2013+A1:2019+A2:2021 EN IEC 61000-3-2:2019+A1:2021 EN 301 489-1 V2.2.3 EN 301 489-17 V3.2.4
ESD	EN 61000-4-2:2009
RS	EN IEC 61000-4-3:2020
EFT	EN 61000-4-4:2012
Surge protection	EN 61000-4-5:2014+A1:2017
CS	EN 61000-4-6:2014
DIP	EN IEC 61000-4-11:2020

RF

Standards	EN 300 328 V2.2.2; EN 300 893 V2.1.1; EN 300 440 V2.2.1
-----------	---------------------------------------------------------

SAFETY

Standards	IEC 62368-1:2018 EN IEC 62368-1:2020+A11:2020 EN IEC 62311:2020
-----------	-----------------------------------------------------------------------

WHAT'S IN THE BOX?

STANDARD PACKAGE CONTAINS

- TAP100 Access point
- QSG (Quick Start Guide)
- Wi-Fi Information sticker
- Packaging box



STANDARD ORDER CODES

PRODUCT CODE	HS CODE	HTS CODE	PACKAGE CONTAINS
TAP100 001000	851762	8517.62.00	Standard Package
TAP100 000000	851762	8517.62.00	Standard package with 15 W PoE Injector

For more information on all available packaging options – please contact us directly.

TAP100 SPATIAL MEASUREMENTS & WEIGHT

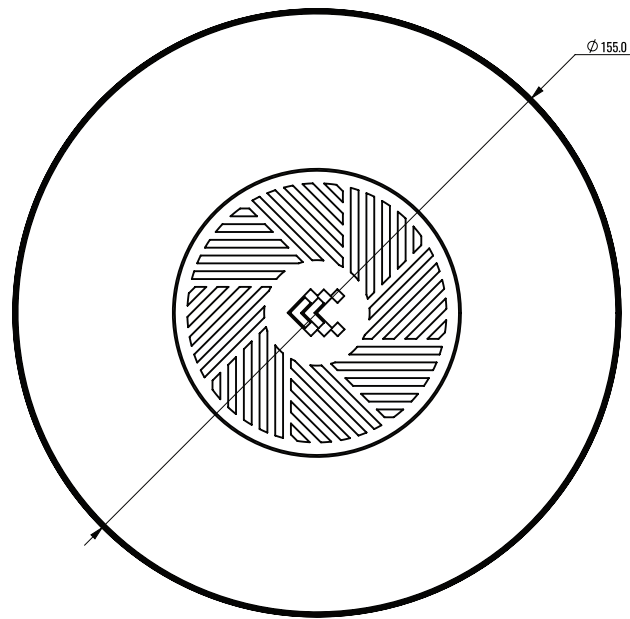
MAIN MEASUREMENTS

Dimensions for TAP100:

Device housing*: \varnothing 158 mm x 30 mm
 Box: 355 mm x 175 mm x 60 mm

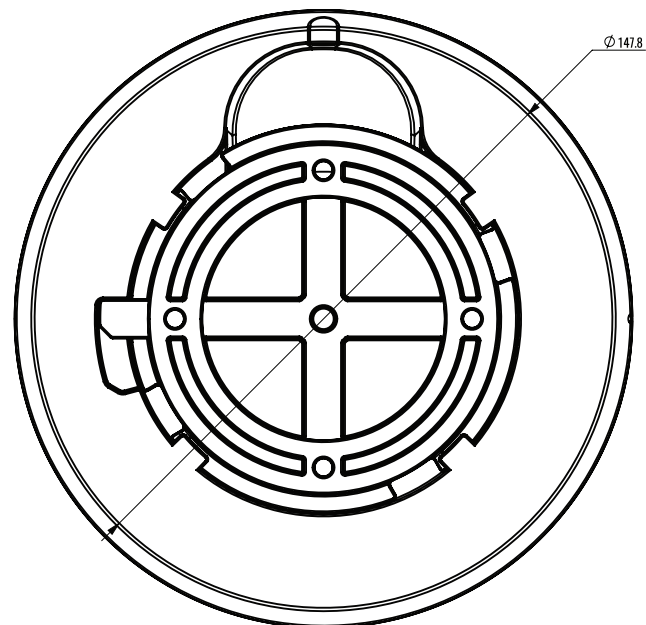
TOP VIEW

The figure below depicts the measurements of TAP100 and its components as seen from the top:



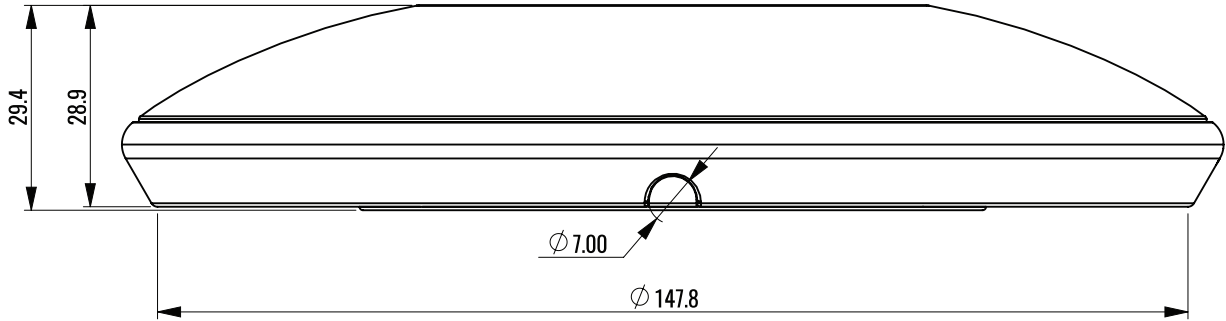
BOTTOM VIEW

The figure below depicts the measurements of TAP100 and its components as seen from the bottom side:



SIDE VIEW

The figure below depicts the measurements of TAP100 and its components as seen from the front panel side:



MOUNTING SPACE REQUIREMENTS

The figure below depicts an approximation of the device's dimensions when cables and antennas are attached:

